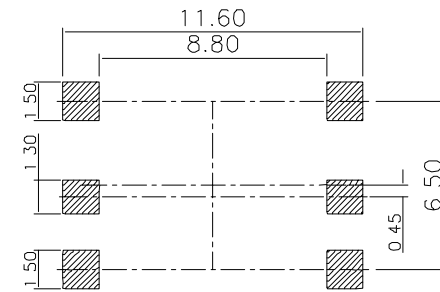
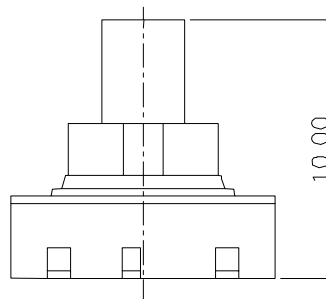
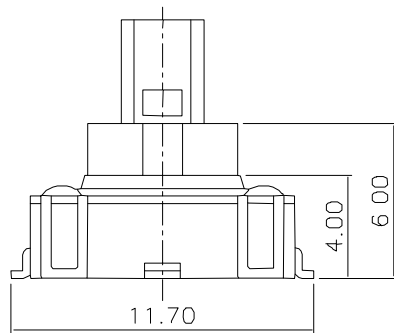


Circuit Diagram

Push



PCB Layout(Pattern Side)

NOTE:
 Operating Force:
 4-direction 160 ± 35 gf
 center push 300 ± 35 gf
 Travel 4-direction 5°±2'
 center push 0.20±0.1mm

A4				
A3				
A2				
A1				
REV.	DATE	REVISION	DESCRIPTION	ISSUE
		A		B



COMMON TOLERANCE:

X.XX	± 0.10
X.X	± 0.15
X	± 0.25
ANGULAR	—

UNIT	MM	PROJECTED		PRODUCT NAME:
DRAWN BY	FUYUAN	CHECKED BY	COCO	MODEL NO: TPMT-1024
DATE	2017	APPROVAL BY	ALEN	Https: www.rocpu.tw
ROC PU TECHNOLOGY CO.,LTD				
<small>Copies are issued in strict confidence and shall not be reproduced or copied, or used as the basic of manufacture or sale of apparatus without permission</small>				