

A

B

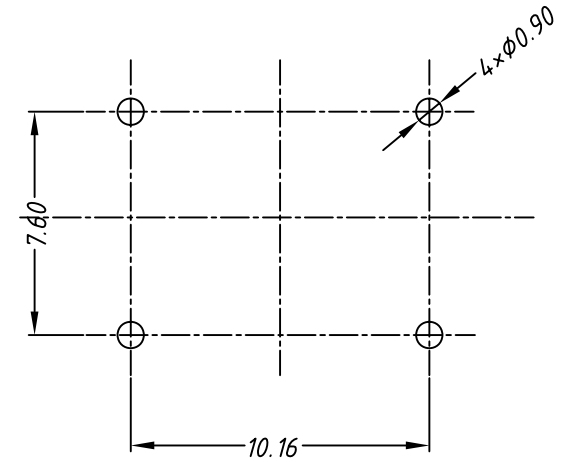
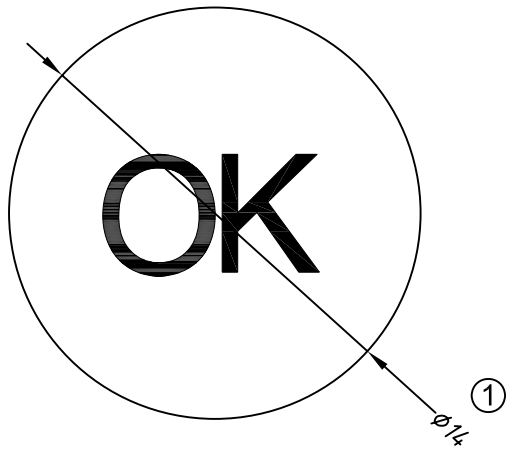
C

D

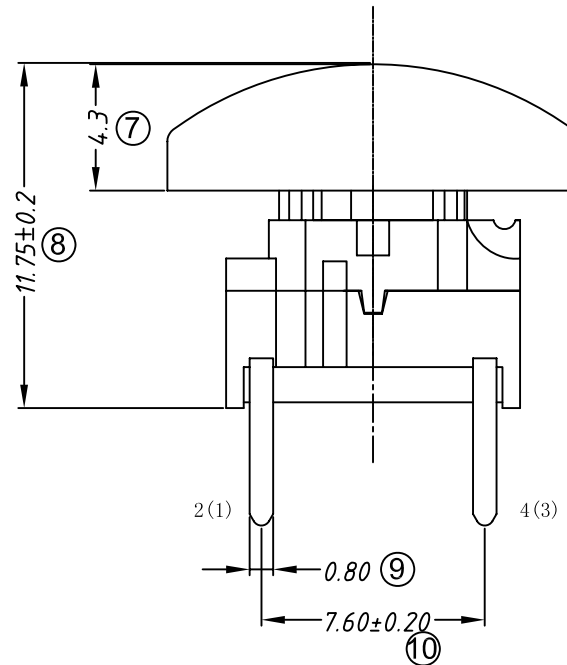
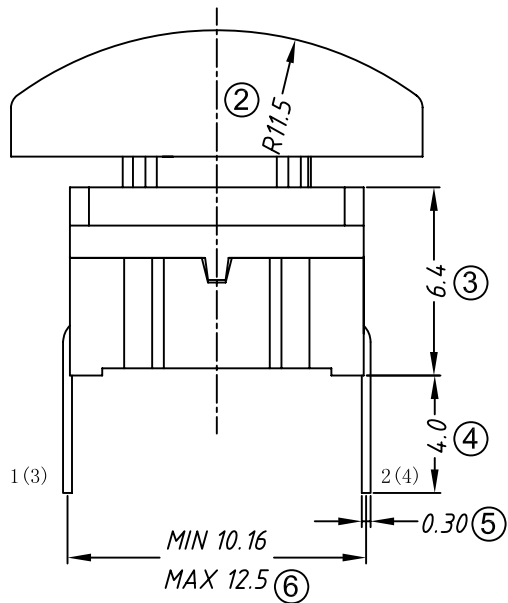
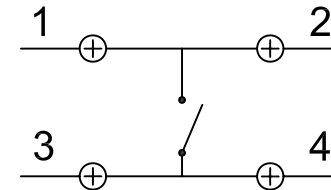
E

F

PCB LAYOUT



CIRCUIT



- 1. IP67
- 2. Switch life: >10, 000, 000;

A4				
A3				
A2				
A1				
REV.	DATE	REVISION	DESCRIPTION	ISSUE
		A		B



COMMON TOLERANCE:

X.XX	± 0.10
X.X	± 0.15
X	± 0.25
ANGULAR	—

UNIT	MM	PROJECTED		PRODUCT NAME:
DRAWN BY	FUYUAN	CHECKED BY	COCO	MODEL NO: TP-10-X-3-C-BP3-H-S004
DATE	2017	APPROVAL BY	ALEN	Https: www.rocpu.tw
ROC PU TECHNOLOGY CO.,LTD				
<small>Copies are issued in strict confidence and shall not be reproduced or copied, or used as the basic of manufacture or sale of apparatus without permission</small>				
D	E	F	G	