

A

B

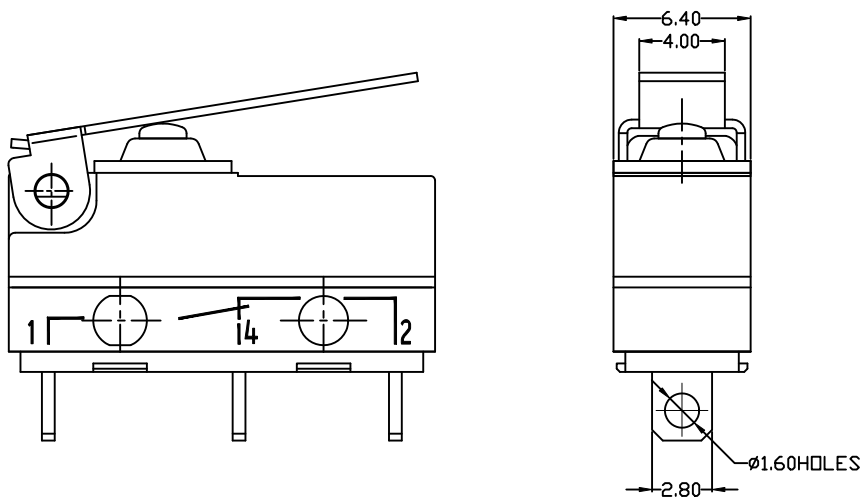
C

D

E

F

G



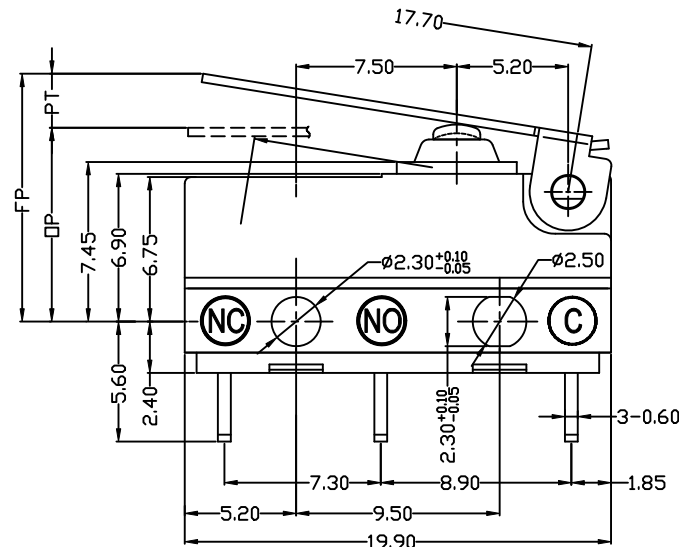
TG905  
5A 125/250VAC  
6A 125/250VAC

## NOTES:

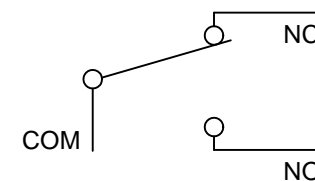
MOUNTING HOLES WILL ACCEPT Ø2.2 MAX PINS OR SCREWS.

## CHARACTERISITICS

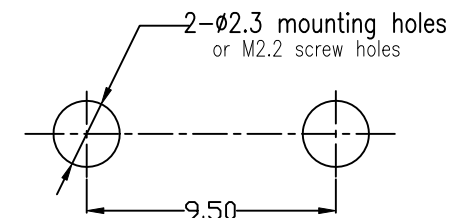
Operating Force:	<b>90gf MAX.</b>
Release Force:	<b>15gf MIN.</b>
Operation Position:	<b>8.8±1.2MM.</b>
Pre Travel:	<b>4.3MM MAX.</b>
Differential Travel:	<b>0.7MM MAX.</b>
Over Travel:	<b>0.6MM MIN.</b>
Total Travel:	



## Circuit Diagram



## Mounting holes



No.	Parts Name	Quantity	Material and Specifications	Prevent fire grade	Remarks
1	Cover	1	PBT	UL94V-0	
2	Case	1	PBT	UL94V-0	
3	Plunger	1	PBT	UL94V-0	
4	Sealed circle	1	Silicone Rubber		
5	COM Terminal	1	Cu Alloy		Ag-PLATED
6	Spring	1	SWC		
7	Moving Plate	1	Cu Alloy		Au-PLATED
8	Contact Point	1	Ag Alloy		
9	Terminal Contact	21	Ag Alloy		
10	NC Terminal	1	Cu Alloy		Ag-PLATED
11	NO Terminal	1	Cu Alloy		Ag-PLATED
12	Sealed gluewater	1g	Epoxy Resin		
13	Lever	1	Stainless steel		

A4				
A3				
A2				
A1				
REV.	DATE	REVISION	DESCRIPTION	ISSUE



COMMON TOLERANCE:

X.XX	± 0.10
X.X	± 0.15
X	± 0.25

ANGULAR

UNIT	MM	PROJECTED		PRODUCT NAME:
DRAWN BY	FUYUAN	CHECKED BY	COCO	MODEL NO: TG905-200S01D1
DATE	2017	APPROVAL BY	ALEN	Https: www.rocpu.tw
<b>ROC PU TECHNOLOGY CO.,LTD</b>				
Copies are issued in strict confidence and shall not be reproduced or copied, or used as the basic of manufacture or sale of apparatus without permission				

A

B

C

D

E

F

G