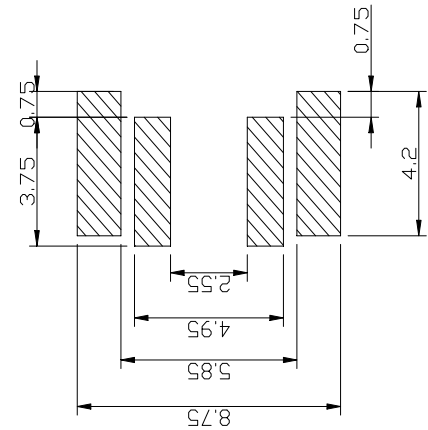
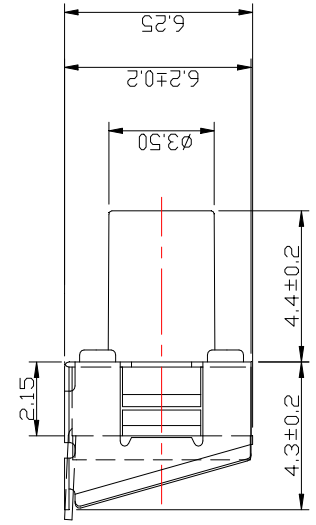
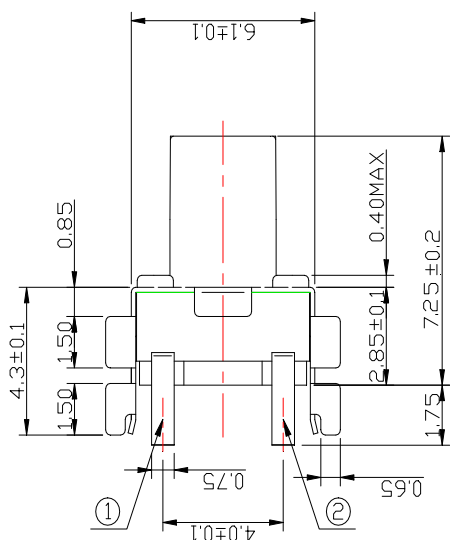


CIRCUIT DIAGRAM



P.C.B LAND DIMENSION



REFERENCE DRAWING

NOTE

1. RATING : DC 12V 50mA
2. CONTACT RESISTANCE : 100mΩ MAX
3. GENERAL TOLERANCE : ±0.2
4. MANUFACTURING SPECIFICATION
WOULD BE ACCORDANCE WITH WT0158

| | | | |
|-----|---------|----------------------|-------|
| A4 | | | |
| A3 | | | |
| A2 | LIFE | 300,000Cycles | |
| A1 | O/FORCE | 180±309f | |
| REV | DATE | REVISION DESCRIPTION | ISSUE |



| COMMON TOLERANCE | |
|------------------|--------|
| X.XX | ± 0.10 |
| X.X | ± 0.15 |
| X | ± 0.25 |
| ANGULAR | — |

| | | | | |
|---|--------|------------|------|----------------------|
| UNIT | MM | PROJECTED | | PRODUCT NAME: |
| DRAWN BY | FUYUAN | CHECKED BY | COCO | MODEL NO: TP15721644 |
| DATE | 2019 | APPROVAL B | ALEN | Https: www.rocpcu.tw |
| ROCPCU TECHNOLOGY CO.,LTD | | | | |
| Copies are issued in strict confidence and shall not be reproduced or copied, or used as the basic of manufacture or sale of apparatus without permission | | | | |