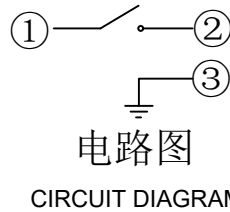
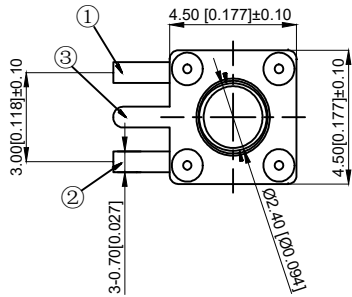


NOTES:  
 1. Rating: 12VDC 50mA  
 1. 额定值: 12VDC 50mA  
 2. Dielectric Strength: 250V AC  
 2. 耐电压: 250V AC  
 3. Contact Resistance: ≤100mΩ Max  
 3. 接触电阻: ≤100mΩ

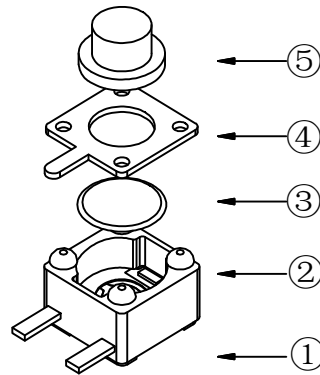
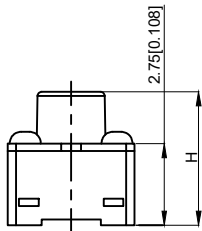
4. Insulation Resistance: ≥100MΩ  
 4. 绝缘电阻: ≥100MΩ  
 5. Life: 200,000 times  
 5. 寿命: 200,000次  
 6. Travel: 0.70±0.20mm  
 6. 行程: 0.70±0.20mm  
 7. Operating Temperature Range: -20°C~80°C  
 7. 使用温度: -20°C~80°C



TP1541

Height  
 Actuation Force  
 16 : 160gf  
 26 : 260gf

Height	
38	3.8MM
43	4.3MM
45	4.5MM
50	5.0MM



5	Button 按钮	Silica gel	1	Blue 蓝色
4	Cover plate 盖板	Iron	1	Copper tin plating 镀铜锡
3	Shrapnel 弹片	SUS	1	Ag plating 镀银
2	Body 本体	PPA	1	Black 黑色
1	Card 卡件	Brass	1	Ag plating 镀银
NO 序号	Part name 部件名	Material 材料	QTY 数量	Remark 备注

A4				
A3				
A2				
A1				
REV	DATE	REVISION	DESCRIPTION	ISSUE
	A			B



COMMON TOLERANCE	
X.XX	± 0.10
X.X	± 0.15
X	± 0.25
ANGULAR	—

UNIT	MM	PROJECTED		PRODUCT NAME: TP1541 <input type="checkbox"/> <input type="checkbox"/> <input type="checkbox"/> <input type="checkbox"/>
DRAWN BY	SHUHAO	CHECKED BY	COCO	MODEL NO:
DATE	2019	APPROVAL B	ALEN	Https: <a href="https://www.rocpcu.tw">www.rocpcu.tw</a>
ROCPCU TECHNOLOGY CO., LTD				
Copies are issued in strict confidence and shall not be reproduced or copied, or used as the basic of manufacture or sale of apparatus without permission				
D	E	F	G	