

NOTES:

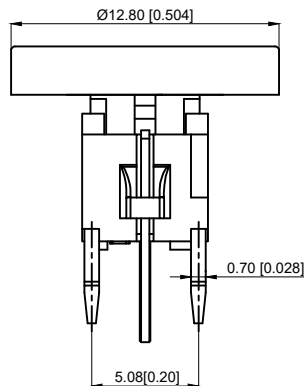
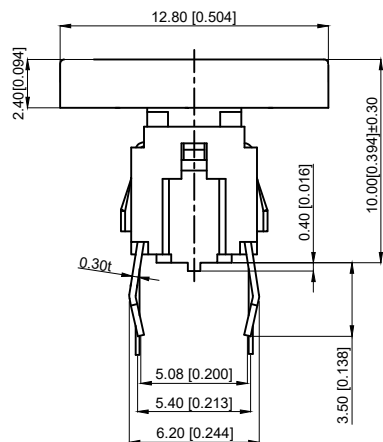
- 1. Rating: 12VDC 50mA
- 1. 额定值: 12VDC 50mA
- 2. Dielectric Strength: 250V AC
- 2. 耐电压: 250V AC
- 3. Contact Resistance: ≤100mΩ Max
- 3. 接触电阻: ≤100mΩ
- 4. Insulation Resistance: ≥100MΩ
- 4. 绝缘电阻: ≥100MΩ

- 5. Operating Force: 260±50gf
- 5. 操作力: 260±50gf
- 6. Life: 200,000 times
- 6. 寿命: 200,000 times
- 7. Travel: 0.25±0.1mm
- 7. 行程: 0.25 ± 0.1mm
- 8. Operating Temperature: -20 to +70°C
- 8. 使用温度: -20 to +70°C

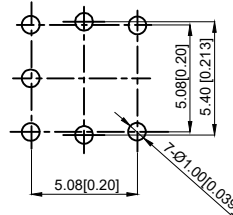
TPB01-1011L □ S2

LED COLOR

LED COLOR	
1	Red
2	Yellow
3	Green
4	Blue
5	White



PCB LAYOUT



6	Key cap 按键帽	ABS	1	Grey 灰色
5	LED		1	
4	Button 按钮	POM	1	
3	Shrapnel 弹片	SUS	1	
2	Pedestal 基座	PA66	1	
1	Terminal 端子	Brass	4	Ag plating 镀银
NO 序号	Part name 部件名	Material 材料	QTY 数量	Remark 备注

A4				
A3				
A2				
A1				
REV	DATE	REVISION	DESCRIPTION	ISSUE



COMMON TOLERANCE	
X.XX	± 0.10
X.X	± 0.15
X	± 0.25
ANGULAR	—

UNIT	MM	PROJECTED		PRODUCT NAME: TPB01-1011L □ S2
DRAWN BY	SHUHAO	CHECKED BY	COCO	MODEL NO:
DATE	2019	APPROVAL B	ALEN	Https: www.rocpcu.tw
ROCPCU TECHNOLOGY CO., LTD				
Copies are issued in strict confidence and shall not be reproduced or copied, or used as the basic of manufacture or sale of apparatus without permission				