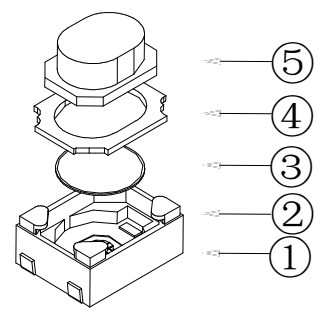
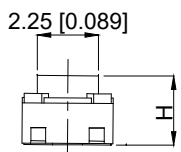
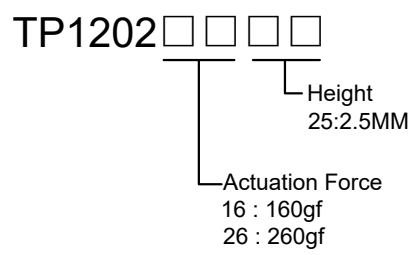
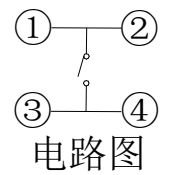
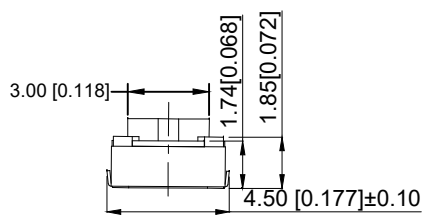


NOTES:

- |                                 |                                  |
|---------------------------------|----------------------------------|
| 1. Rate Voltage :50mA           | 5. Dielectric Strength: ≥250VAC  |
| 1. 额定电流: 50mA                   | 5. 介电强度: ≥250VAC                 |
| 2. Contact Resistance: ≤100mΩ   | 6. life: 100000 times            |
| 2. 接触电阻: ≤100mΩ                 | 6. 寿命: 100000 次                  |
| 3. Travel: 0.20±0.1mm           | 7. working temperature: -20℃~80℃ |
| 3. 行程: 0.20±0.1mm               | 7. 工作温度: -20℃~80℃                |
| 4. Insulated Resistance: ≥100mΩ |                                  |
| 4. 绝缘电阻: ≥100mΩ                 |                                  |



5	Push-button 按钮	Silica gel	1	Bluc 蓝色
4	Blind flange 盖板	Phosphorous copper	1	Copper tin plating 镀铜锡
3	Shrapnel 弹片	SUS	1	Ag plating 镀银
2	Noumenon 本体	LCP	1	white 白色
1	Card 卡件	Phosphorous copper	1	Ag plating 镀银
NO 序号	Part name 部件名	Material 材料	QTY 数量	Remark 备注

A4				
A3				
A2				
A1				
REV	DATE	REVISION	DESCRIPTION	ISSUE



COMMON TOLERANCE	
X.XX	± 0.10
X.X	± 0.15
X	± 0.25
ANGULAR	

UNIT	MM	PROJECTED		PRODUCT NAME: TP1202□□□□
DRAWN BY	SHUHAO	CHECKED BY	COCO	MODEL NO:
DATE	2019	APPROVAL B	ALEN	Https: www.rocpcu.tw
<b>ROCPCU TECHNOLOGY CO.,LTD</b>				
Copies are issued in strict confidence and shall not be reproduced or copied, or used as the basic of manufacture or sale of apparatus without permission				