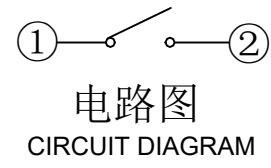
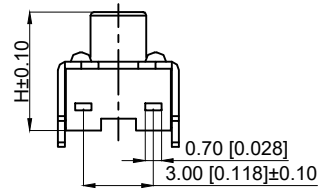


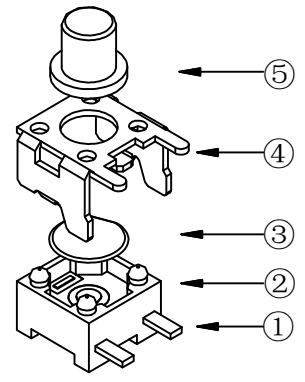
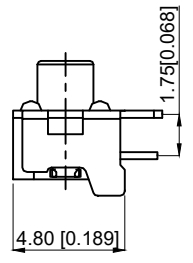
NOTES:
 1. Rated voltage: 50mA DC12V
 1. 额定电压: 50mA DC12V
 2. Contact resistance: ≤100mΩ
 2. 接触电阻: ≤100mΩ
 3. Travel: 0.15±0.10mm
 3. 行程: 0.15±0.10mm

4. Insulated resistance: ≥100MΩ
 4. 绝缘电阻: ≥100MΩ
 5. Dielectric strength: ≥250VAC
 5. 介电强度: ≥250VAC
 6. Life: 50000 times
 6. 寿命: 50000次
 7. Working temperature: -20°C~80°C
 7. 工作温度: -20°C~80°C



TP1281 □ □ □ □
 Height
 Actuation Force
 16 : 160gf
 26 : 260gf

Height	
38	3.8MM
43	4.3MM
50	5.0MM



5	Push-button 按钮	PPA	1	Black 黑色
4	Blind flange 盖板	Brass	1	Copper tin plating 镀铜锡
3	Shrapnel 弹片	SUS	1	Ag plating 镀银
2	Noumenon 本体	PPA	1	Black 黑色
1	Card 卡件	Brass	1	Ag plating 镀银
NO 序号	Part name 部件名	Material 材料	QTY 数量	Remark 备注

A4				
A3				
A2				
A1				
REV	DATE	REVISION	DESCRIPTION	ISSUE



COMMON TOLERANCE	
X.XX	± 0.10
X.X	± 0.15
X	± 0.25
ANGULAR	—

UNIT	MM	PROJECTED	PRODUCT NAME: TP1281 □ □ □ □
DRAWN BY	SHUHAO	CHECKED BY	COCO
DATE	2019	APPROVAL B	ALEN
MODEL NO: https://www.rocpcu.tw			
ROCPCU TECHNOLOGY CO., LTD			
Copies are issued in strict confidence and shall not be reproduced or copied, or used as the basic of manufacture or sale of apparatus without permission			