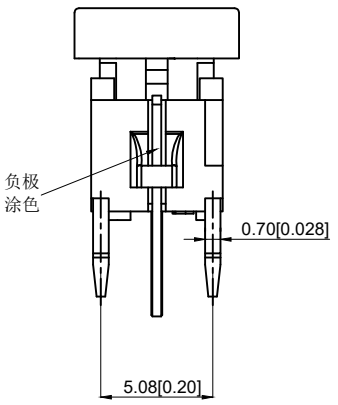
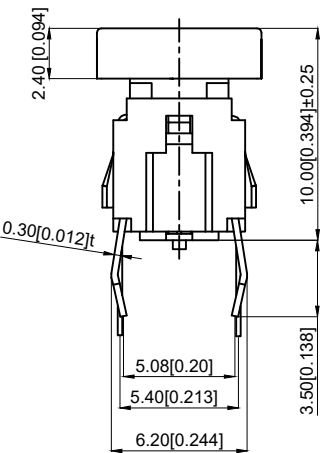


**NOTES:**

1. Rating: 12VDC 50mA	5. Operating Force: 260±50gf
1. 额定值: 12VDC 50mA	5. 操作力: 260±50gf
2. Dielectric Strength: 250V AC	6. Life: 100,000 times
2. 耐电压: 250V AC	6. 寿命: 100,000 times
3. Contact Resistance: ≤100mΩ Max	7. Travel: 0.25±0.1mm
3. 接触电阻: ≤100mΩ	7. 行程: 0.25 + 0.1mm
4. Insulation Resistance: ≥100MΩ	8. Operating Temperature: -20 to +70°C
4. 绝缘电阻: ≥100MΩ	8. 使用温度: -20 to +70°C

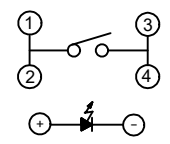


TPB01-104L  W

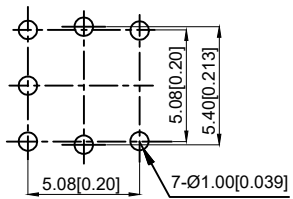
LED COLOR

LED COLOR	
1	Red
2	Yellow
3	Green
4	Blue
5	White

**CIRCUIT**



**PCB LAYOUT**



7	Key cap 按键帽	PET	1	
6	Key cap 按键帽	ABS	1	White 白色
5	LED		1	
4	Button 按钮	POM	1	
3	Shrapnel 弹片	SUS	1	
2	Pedestal 底座	PA66	1	
1	Terminal 端子	Brass	4	Ag plating 镀银
NO 序号	Part name 部件名	Material 材料	QTY 数量	Remark 备注

A4				
A3				
A2				
A1				
REV	DATE	REVISION	DESCRIPTION	ISSUE



COMMON TOLERANCE	
X.XX	± 0.10
X.X	± 0.15
X	± 0.25
ANGULAR	—

UNIT	MM	PROJECTED		PRODUCT NAME: TPB01-104L <input type="checkbox"/> W
DRAWN BY	SHUHAO	CHECKED BY	COCO	MODEL NO:
DATE	2019	APPROVAL B	ALEN	Https: <a href="https://www.rocpcu.tw">www.rocpcu.tw</a>
ROCPCU TECHNOLOGY CO., LTD				
Copies are issued in strict confidence and shall not be reproduced or copied, or used as the basic of manufacture or sale of apparatus without permission				