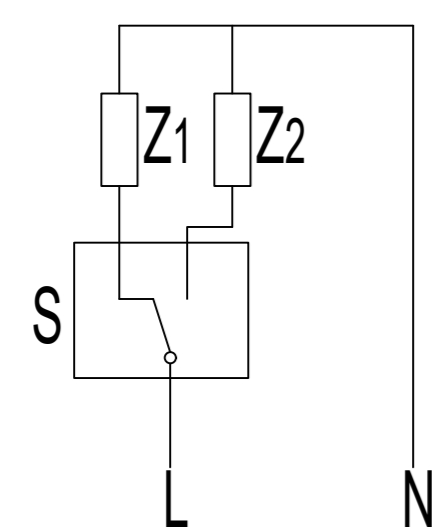


技术参数值 (Technical Parameters)

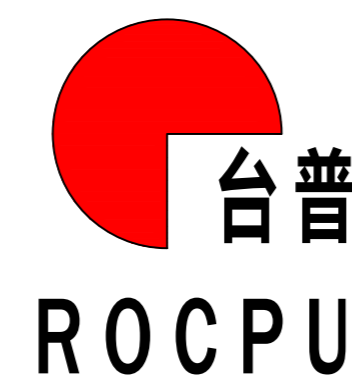
1. 电气额定值 (Electrical Rating) : 1A 250VAC
2. 温度等级 (Temperature grade) : T85
3. 动作力 (OF) : 1.0±0.4N
4. 动作行程 (PT) : ≤0.8mm
5. 接触电阻 (Contact Resistance) : ≤50mΩ
6. 绝缘电阻 (Insulation Resistance) : ≥100MΩ
7. 耐压 (Withstand Voltage) : 端-端500VAC/5S, 漏电流5mA, 端-壳1500VAC/5S, 漏电流5mA。
8. 电气寿命 (Electrical Service Life) : 10,000
9. 耐漏电起痕 (Proof Tracking Index) : 175V

电路简图



5	压柄 Pressing handle	1	不锈钢 SUS	
4	塑盖 Plastic cover	1	PBT	黑色 black
3	动触片组件 Contact parts	1	铍青铜+银丝 Beryllium bronze + silver wire	
2	推动子 Push parts	1	尼龙66 PA66	灰色 grey
1	底座组件 Bottom assembly	1	PBT+黄铜+银丝 PBT + brass + silver wire	
序号 Serial number	零件名称 Part name	数量 quantity	材质 Texture of material	备注 REMARK

A4				
A3				
A2				
A1				
REV	DATE	REVISION	DESCRIPTION	ISSUE



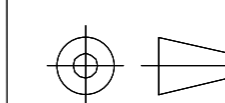
COMMON TOLERANCE

X.XX	± 0.10
X.X	± 0.15
X	± 0.25
ANGULAR	—

UNIT

MM

PROJECTED



PRODUCT NAME:

DRAWN BY

FUYUAN

CHECKED BY

COCO

MODEL NO: TP301111350

DATE

2019

APPROVAL B

ALEN

Https: www.rocpcu.tw

**ROCPCU TECHNOLOGY CO.,LTD**

Copies are issued in strict confidence and shall not be reproduced or copied, or used as the basis of manufacture or sale of apparatus without permission