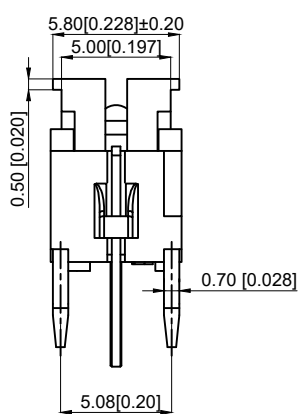
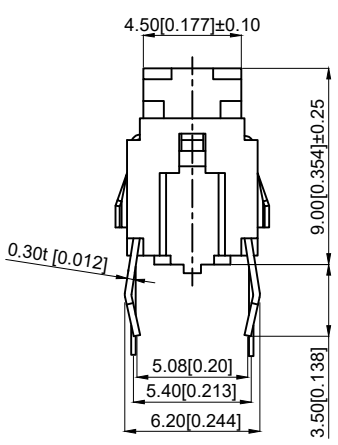


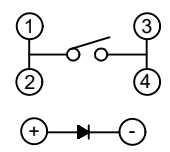
NOTES:
 1. Rating: 12VDC 50mA
 1. 额定值: 12VDC 50mA
 2. Dielectric Strength: 250V AC
 2. 耐电压: 250V AC
 3. Contact Resistance: ≤100mΩ Max
 3. 接触电阻: ≤100mΩ
 4. Insulation Resistance: ≥100MΩ
 4. 绝缘电阻: ≥100MΩ
 5. Operating Force: 260±50gf
 5. 操作力: 260±50gf
 6. Life: 100,000 times
 6. 寿命: 100,000 times
 7. Travel: 0.25±0.1mm
 7. 行程: 0.25 + 0.1mm
 8. Operating Temperature: -20 to +70°C
 8. 使用温度: -20 to +70°C



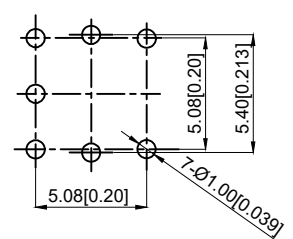
TPC01-100L
 LED COLOR

LED COLOR	
0	Other
1	Red
2	Yellow
3	Green
4	Blue
5	White

CIRCUIT



PCB LAYOUT



5	LED		1	
4	Button 按钮	POM	1	
3	Shrapnel 弹片	SUS	1	
2	Pedestal 基座	PA66	1	
1	Terminal 端子	Brass	4	Ag plating 镀银
NO 序号	Part name 部件名	Material 材料	QTY 数量	Remark 备注

A4				
A3				
A2				
A1				
REV	DATE	REVISION	DESCRIPTION	ISSUE



COMMON TOLERANCE	
X.XX	± 0.10
X.X	± 0.15
X	± 0.25
ANGULAR	—

UNIT	MM	PROJECTED		PRODUCT NAME: TPC01-100L <input type="checkbox"/>
DRAWN BY	SHUHAO	CHECKED BY	COCO	MODEL NO:
DATE	2019	APPROVAL B	ALEN	Https: www.rocpcu.tw
ROC CPU TECHNOLOGY CO., LTD				
Copies are issued in strict confidence and shall not be reproduced or copied, or used as the basic of manufacture or sale of apparatus without permission				