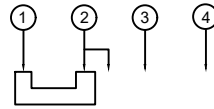
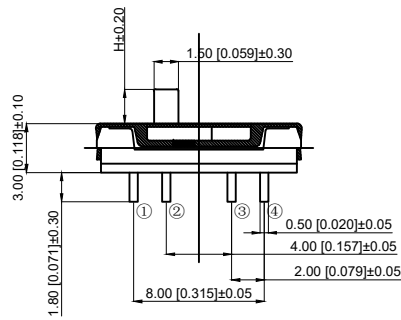


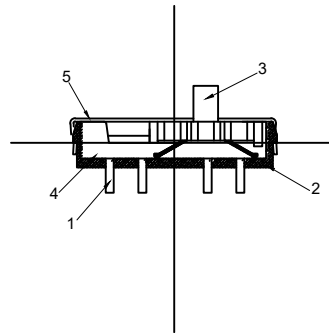
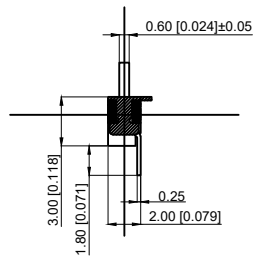
Product specification:  
 产品规格:  
 Rated range: 50mA DC12V  
 额定范围: 50mA DC12V  
 Insulation resistance: 100m Ω min  
 绝缘电阻: 100mΩ min  
 Withstand voltage strength: AC100V  
 耐压强度: AC100V  
 Mechanical life: 10000 cycles

机械寿命: 10000 cycles  
 Operating temperature: -10 °C to +60 °C  
 操作温度: -10°C to +60°C  
 Operating force: 200 ± 80gf  
 操作力: 200±80gf  
 Material property: SGS  
 材料属性: SGS



TP6082213 □

Height  
 20:2.0MM  
 30:3.0MM



5	Upper lid 上盖	SUS	1	silvery white 银白色
4	Contact reed 接触簧片	Phosphor bronze 磷青铜	1	Ag plating 镀银
3	Handle 手柄	PA46	1	black 黑色
2	Base 基座	LCP	1	black 黑色
1	Card 卡件	Brass 黄铜	1	Ag plating 镀银
NO 序号	Part name 部件名	Material 材料	QTY 数量	Remark 备注

A4				
A3				
A2				
A1				
REV	DATE	REVISION	DESCRIPTION	ISSUE



COMMON TOLERANCE	
X.XX	± 0.10
X.X	± 0.15
X	± 0.25
ANGULAR	—

UNIT	MM	PROJECTED	PRODUCT NAME: TP6082213 □
DRAWN BY	SHUHAO	CHECKED BY	COCO
DATE	2019	APPROVAL B	ALEN
<b>ROCPCU TECHNOLOGY CO.,LTD</b>			
Copies are issued in strict confidence and shall not be reproduced or copied, or used as the basic of manufacture or sale of apparatus without permission			

MODEL NO:  
 Https: www.rocpcu.tw