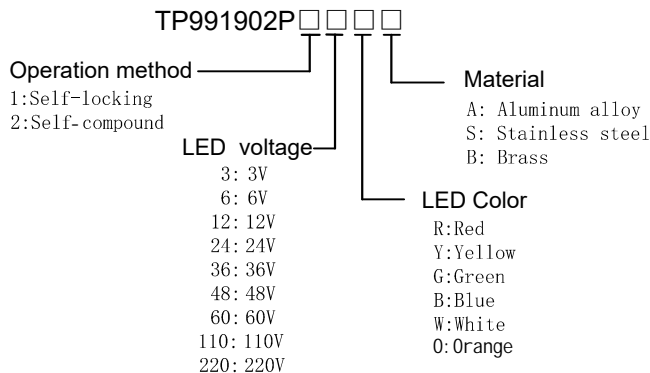


Schematic Diagram
电气原理图

Installation View
安装视图

| | | | | | | | | | | | | | |
|-----|------|----------|-------------|-------|----------------------|------------------|--------|------------------------------------|--------|------------|------|------------------------|---|
| A4 | | | | | <p>台普 ROCPCU</p> | COMMON TOLERANCE | | UNIT | MM | PROJECTED | | PRODUCT NAME: | |
| A3 | | | | | | X.XX | ± 0.10 | DRAWN BY | SHUHAO | CHECKED BY | COCO | MODEL NO:TP991902P□□□□ | |
| A2 | | | | | | X.X | ± 0.15 | DATE | 2019 | APPROVAL | B | ALEN | Https: www.rocpcu.tw |
| A1 | | | | | | X | ± 0.25 | <h1>ROCPCU TECHNOLOGY CO.,LTD</h1> | | | | | |
| REV | DATE | REVISION | DESCRIPTION | ISSUE | | ANGULAR | — | | | | | | Copies are issued in strict confidence and shall not be reproduced or copied, or used as the basis of manufacture or sale of apparatus without permission |
| A | | B | | C | | D | | E | | F | | G | |



连接形式


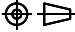
- Welding temperature of wire: 320 ± 20 °C
 线材焊接温度: 320±20°C
 Wire welding duration: less than 3 seconds
 线材焊接时长: 时长3秒以下
- Can be used with dedicated connectors:
 可配专用接插件使用:
 - Switch function wire: Blue wire (NO) (1.0²mm)
 开关功能线材: 蓝线 (NO) (1.0²mm)
 - LED functional wire: red wire positive pole black wire negative pole(0.5²mm)
 LED功能线材: 红线正极 黑线负极(0.5²mm)
 - LED is an electrodeless lamp bead that can be lit without the need to separate positive and negative poles
 LED为无极灯珠, 无需分正负极也可点亮

性能参数


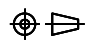
- Heating current: Ui: AC250V, Ith: 10A
 发热电流: Ui: AC250V, Ith: 10A
- Rated current: 10A, AC110V/220V
 10A, DC12V/24V
 额定电流: 10A, AC110V/220V
 10A, DC12V/24V
- Power-frequency withstand voltage: 1500V/1min
 工频耐压: 1500V/1min
- Insulation resistance: ≥1000MΩ
 绝缘电阻: ≥1000MΩ
- Contact resistance: ≤50mΩ
 接触电阻: ≤50mΩ
- Pressing stroke: 4.00mm ± 0.10
 按压行程: 4.00mm ± 0.10
- Contact stroke: 1.20mm ± 0.10
 接触行程: 1.20mm ± 0.10
- welding temperature: 320 °C ± 20 °C
 焊接温度: 320 °C ± 20 °C
- Welding duration: Less than 3 seconds in duration
 焊接时长: Less than 3 seconds in duration
- Nut assembly torque: 5-14N.m

螺帽装配力矩: 5-14N.m

- Protection level: IP67
 防护等级: IP67
- Explosion prevention level: IK10
 防暴等级: IK10
- Working environment temperature: -40 °C ~ +80 °C
 工作环境温度: -40 °C ~ +80 °C
- Compression torque: ≤ 5.0N
 按压扭力: ≤ 5.0N
- Electrical life: 50,000 cycles
 电气寿命: 50,000 cycles
- Mechanical: 500,000 cycles
 机械寿命: 500,000 cycles
- LED lamp power consumption: 20mA以下
 LED灯功耗: 20mA以下
- LED lamp lifespan: 40000h
 LED寿命: 40000h
- NO reverse thrust foot torque: ≤ 30N
 NO反推脚扭力: ≤ 30N

| | | | | | | | | | | | |
|-----|------|----------|-------------|--|------------------|---------|----------------------------|--------|------------|---|-----------------------------|
| A4 | | | |  ROCPCU | COMMON TOLERANCE | | UNIT | MM | PROJECTED |  | PRODUCT NAME: |
| A3 | | | | | X.XX | ± 0.10 | DRAWN BY | SHUHAO | CHECKED BY | COCO | MODEL NO: TP991902P □ □ □ □ |
| A2 | | | | | X.X | ± 0.15 | DATE | 2019 | APPROVAL B | ALEN | Https: www.rocpcu.tw |
| A1 | | | | | X | ± 0.25 | ROCPCU TECHNOLOGY CO., LTD | | | | |
| REV | DATE | REVISION | DESCRIPTION | | ISSUE | ANGULAR | | | | | |

| NO 序号 | Part name 部件名 | Material 材料 | QTY 数量 | Remark 备注 |
|----------|--------------------------|--|-----------|--------------------|
| 1 | Key 按键 | SUS/Aluminum alloy/Brass 不锈钢/铝合金/黄铜 | 1 | |
| 2 | Housing 外壳 | SUS/Aluminum alloy/Brass 不锈钢/铝合金/黄铜 | 1 | |
| 3 | Oring O型圈 | Silica gel 硅胶 | 1 | |
| 4 | Arm nut 固定螺帽 | Brass 黄铜 | 1 | nickeling 镀镍 |
| 5 | Contact material 接触材质 | silver alloy 银合金 | 1 | |
| 6 | NOPin NO引脚 | Brass 黄铜 | 1 | gold-plating 镀金 |
| 7 | Base 底座 | PBT | 1 | |
| 8 | LEDpin LED引脚 | Brass 黄铜 | 1 | Silvering 镀银 |
| 9 | luminous zone 发光区 | PC 塑胶 | 1 | |

| A4 | | | |  台普 ROCPCU | <table border="1"> <tr> <th colspan="2">COMMON TOLERANCE</th> </tr> <tr> <td>X.XX</td> <td>± 0.10</td> </tr> <tr> <td>X.X</td> <td>± 0.15</td> </tr> <tr> <td>X</td> <td>± 0.25</td> </tr> <tr> <td>ANGULAR</td> <td>—</td> </tr> </table> | COMMON TOLERANCE | | X.XX | ± 0.10 | X.X | ± 0.15 | X | ± 0.25 | ANGULAR | — | UNIT | MM | PROJECTED |  | PRODUCT NAME: |
|------------------|--------|----------|-------------|---|--|------------------|------|------------------------|--------|-----|--------|---|--------|---------|---|------|----|-----------|---|---------------|
| COMMON TOLERANCE | | | | | | | | | | | | | | | | | | | | |
| X.XX | ± 0.10 | | | | | | | | | | | | | | | | | | | |
| X.X | ± 0.15 | | | | | | | | | | | | | | | | | | | |
| X | ± 0.25 | | | | | | | | | | | | | | | | | | | |
| ANGULAR | — | | | | | | | | | | | | | | | | | | | |
| A3 | | | | DRAWN BY | SHUHAO | CHECKED BY | COCO | MODEL NO:TP991902P□□□□ | | | | | | | | | | | | |
| A2 | | | | DATE | 2019 | APPROVAL B | ALEN | Https: www.rocpu.tw | | | | | | | | | | | | |
| A1 | | | | ROCPCU TECHNOLOGY CO.,LTD | | | | | | | | | | | | | | | | |
| REV | DATE | REVISION | DESCRIPTION | ISSUE | Copies are issued in strict confidence and shall not be reproduced or copied, or used as the basic of manufacture or sale of apparatus without permission | | | | | | | | | | | | | | | |