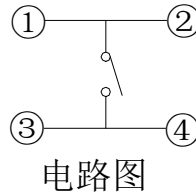
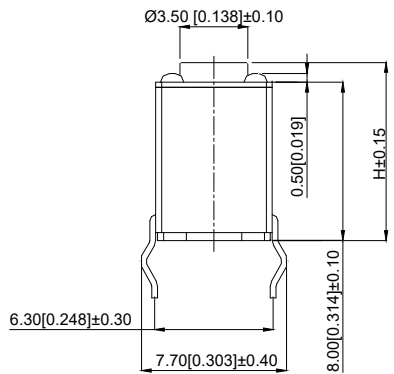


PCB.焊接图  
PCB.WELDING DRAWING

NOTES:

- 1.Rating voltage: 50mA DV12V  
1.额定电流:50mA DV12V
- 2.Contact Resistance:≤100mΩ Max  
2.接触电阻: ≤100mΩ
- 3.Travel: 0.25±0.1mm  
3.行程: 0.25 + 0.1mm

- 4.Insulation Resistance:≥100MΩ  
4.绝缘电阻: ≥100MΩ
- 5.Dielectric strength: ≥250VAC  
5.介电强度: ≥250VAC
- 6.Life: 200,000 times  
6.寿命: 200,000 次
- 7.Operating Temperature:-20℃~80℃  
7.使用温度: -20℃ ~80℃



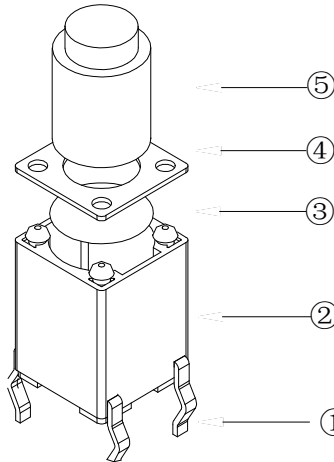
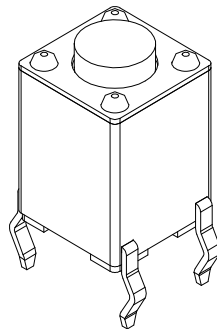
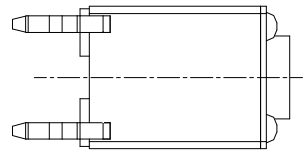
电路图

TP1301 □ □ □ □

Height

Actuation Force  
16 : 160gf  
26 : 260gf

Height	
11	4.3MM
12	4.5MM
125	12.5MM
13	5.0MM
14	5.5MM
15	6.0MM
155	15.5MM
16	6.5MM
17	7.0MM
18	7.5MM



5	Push button 按钮	PPA	1	Black 黑色
4	Blind flange 盖板	Iron cover platet	1	Copper tin plating 镀铜锡
3	Shrapnel 弹片	SUS	1	Ag plating 镀银
2	Noumenon 本体	PPA	1	Balck 黑色
1	Card 卡件	Brass	1	Ag plating 镀银
NO 序号	Part name 部件名	Material 材料	QTY 数量	Remark 备注

A4				
A3				
A2				
A1				
REV	DATE	REVISION	DESCRIPTION	ISSUE



COMMON TOLERANCE	
X.XX	± 0.10
X.X	± 0.15
X	± 0.25
ANGULAR	

UNIT	MM	PROJECTED		PRODUCT NAME: TP1301 □ □ □ □
DRAWN BY	SHUHAO	CHECKED BY	COCO	MODEL NO:
DATE	2019	APPROVAL B	ALEN	Https: www.rocpcu.tw
<b>ROCPCU TECHNOLOGY CO.,LTD</b>				
<small>Copies are issued in strict confidence and shall not be reproduced or copied, or used as the basic of manufacture or sale of apparatus without permission</small>				