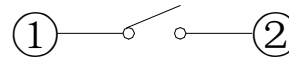
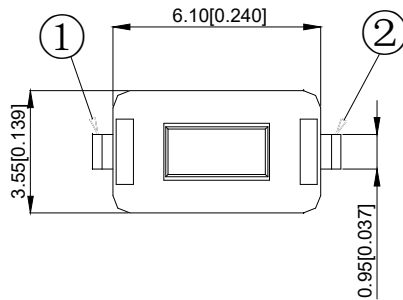


PCB.焊接图
PCB.WELDING DRAWING

NOTES:

- 1.Rating:12VDC 50mA
1.额定值: 12VDC 50mA
- 2.Dielectric Strength:250V AC
2.耐电压: 250V AC
- 3.Contact Resistance:≤100mΩ Max
3.接触电阻: ≤100mΩ

- 4.Insulation Resistance:≥100MΩ
4.绝缘电阻: ≥100MΩ
- 5.Life: 20,000 times
5.寿命: 20,000 times
- 6.Travel: 0.20±0.10mm
6.行程: 0.20±0.10mm
- 7.operation temperature: -20℃~80℃
7.工作温度: -20℃~80℃



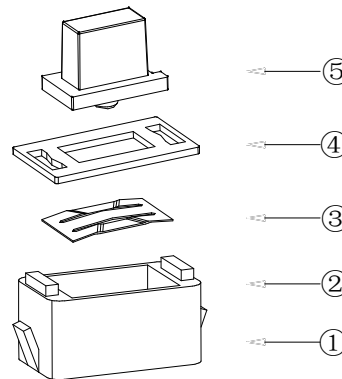
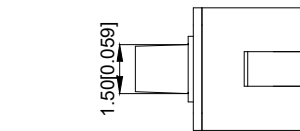
电路图
CIRCUIT DIAGRAW

TP1514

Height

Actuation Force
16 : 160gf
26 : 260gf

Height	
43	4.3MM
50	5.0MM



5	Button 按钮	PPA	1	white 白色
4	Cover plate 盖板	Iron	1	Copper tin plating 镀铜锡
3	Shrapnel 弹片	SUS	1	Ag plating 镀银
2	Body 本体	PPA	1	white 白色
1	Card 卡件	Brass	1	Ag plating 镀银
NO 序号	Part name 部件名	Material 材料	QTY 数量	Remark 备注

A4				
A3				
A2				
A1				
REV	DATE	REVISION	DESCRIPTION	ISSUE



COMMON TOLERANCE	
X.XX	± 0.10
X.X	± 0.15
X	± 0.25
ANGULAR	—

UNIT	MM	PROJECTED		PRODUCT NAME: TP1514 <input type="checkbox"/> <input type="checkbox"/> <input type="checkbox"/> <input type="checkbox"/>
DRAWN BY	SHUHAO	CHECKED BY	COCO	MODEL NO:
DATE	2019	APPROVAL B	ALEN	Https: www.rocpcu.tw
ROCPCU TECHNOLOGY CO.,LTD				
Copies are issued in strict confidence and shall not be reproduced or copied, or used as the basic of manufacture or sale of apparatus without permission				