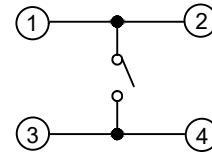


PCB LAND DIMENSION

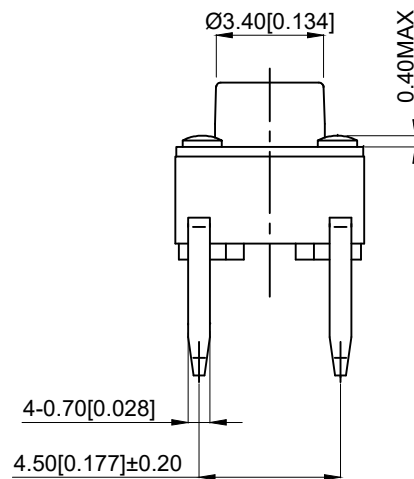
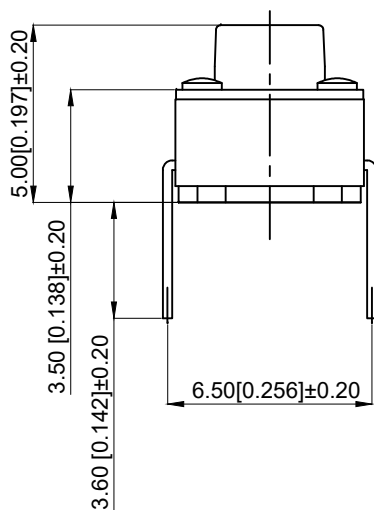


CIRCUIT DIAGRAM

SPECIFICATION

规范

1. Electrical performance: 50mA 12V DC
1. 电气性能: 50mA 12V DC
2. Insulation resistance: 100MΩ min 100V DC
2. 绝缘电阻: 100MΩmin 100V DC
3. Contact resistance: 100mΩ max
3. 接触电阻: 最大100mΩ
4. Operating life: 500,000 cycles
4. 使用寿命: 500,000次循环
5. Operating temperature range: -40°C to +85°C
5. 工作温度范围: -40°C至 +85°C
6. Operating force: 260±50gf
6. 操作力: 260±50gf
7. stroke: 0.25±0.10mm
7. 行程: 0.25±0.10mm



5	Terminal 端子	Brass 黄铜	1	Ag plating 镀银
4	HOUSING 基座	PA66 尼龙66	1	
3	Contact 弹片	SUS 不锈钢	1	Ag plating 镀银
2	Stem 按钮	PA66 尼龙66	1	
1	Cover 盖板	Brass 黄铜	1	
NO 序号	Part name 部件名	Material 材料	QTY 数量	Remark 备注

A4				
A3				
A2				
A1				
REV	DATE	REVISION	DESCRIPTION	ISSUE



COMMON TOLERANCE

X.XX	± 0.10
X.X	± 0.15
X	± 0.25
ANGULAR	—

UNIT	MM	PROJECTED		PRODUCT NAME:
DRAWN BY	FUYUAN	CHECKED BY	COCO	MODEL NO: TP10512650
DATE	2019	APPROVAL B	ALEN	Https: www.rocpcu.tw
<b>ROCPCU TECHNOLOGY CO.,LTD</b>				
Copies are issued in strict confidence and shall not be reproduced or copied, or used as the basic of manufacture or sale of apparatus without permission				