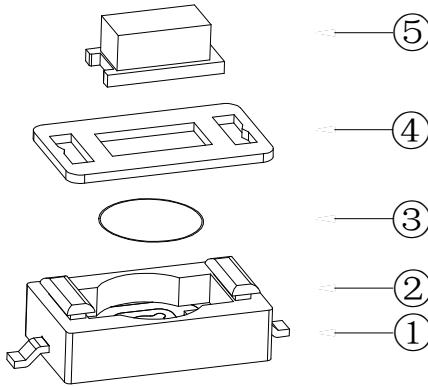
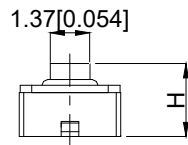
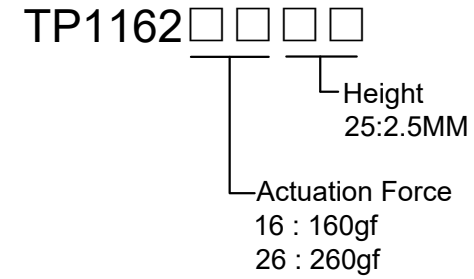
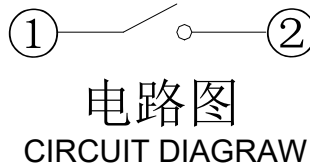
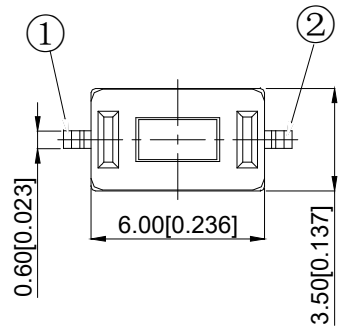


NOTES:

1. Rating: 12VDC 50mA  
1. 额定值: 12VDC 50mA
2. Contact Resistance: ≤100mΩ Max  
2. 接触电阻: ≤100mΩ
3. Travel: 0.25±0.1mm  
3. 行程: 0.25 + 0.1mm

4. Insulation Resistance: ≥100MΩ  
4. 绝缘电阻: ≥100MΩ
5. Dielectric strength: ≥250VAC  
5. 介电强度: ≥250VAC
6. Life: 100,000 times  
6. 寿命: 100,000 times
7. Operating Temperature: -20 ±80°C  
7. 使用温度: -20 ±80°C



5	Push-button 按钮	PPA	1	white 白色
4	Cover plate 盖片	cutter	1	Copper tin plating 镀铜锡
3	Shrapnel 弹片	SUS	1	Ag plating 镀银
2	Noumenon 本体	PPA	1	Black 黑色
1	Card 卡件	Brass	1	Ag plating 镀银
NO 序号	Part name 部件名	Material 材料	QTY 数量	Remark 备注

A4				
A3				
A2				
A1				
REV	DATE	REVISION	DESCRIPTION	ISSUE



COMMON TOLERANCE	
X.XX	± 0.10
X.X	± 0.15
X	± 0.25
ANGULAR	—

UNIT	MM	PROJECTED		PRODUCT NAME: TP1162□□□□
DRAWN BY	SHUHAO	CHECKED BY	COCO	MODEL NO:
DATE	2019	APPROVAL B	ALEN	Https: www.rocpcu.tw
<b>ROCPCU TECHNOLOGY CO.,LTD</b>				
Copies are issued in strict confidence and shall not be reproduced or copied, or used as the basic of manufacture or sale of apparatus without permission				