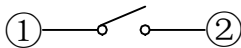
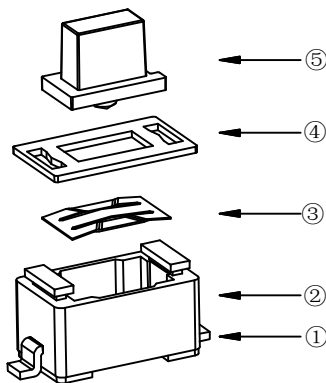
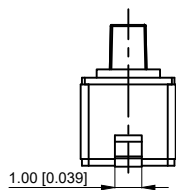
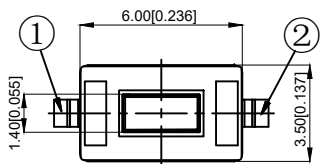


PCB.焊接图
PCB.WELDING DRAWING



电路图
CIRCUIT DIAGRAM



- NOTES:
 1. Rating: 12VDC 50mA
 1. 额定值: 12VDC 50mA
 2. Dielectric Strength: 250V AC
 2. 耐电压: 250V AC
 3. Contact Resistance: ≤100mΩ Max
 3. 接触电阻: ≤100mΩ

4. Insulation Resistance: ≥100MΩ
 4. 绝缘电阻: ≥100MΩ
 5. Life: 20,000 times
 5. 寿命: 20,000 times
 6. Travel: 0.20±0.01mm
 6. 行程: 0.20±0.01mm
 7. Operation temperature: -20℃~+80℃
 7. 工作温度: -20℃~+80℃

| Height | |
|--------|-------|
| 43 | 4.3MM |
| 45 | 4.5MM |
| 50 | 5.0MM |
| 60 | 6.0MM |
| 65 | 6.5MM |
| 70 | 7.0MM |

TP1472 □ □ □ □
 Height
 Actuation Force
 16 : 160gf
 26 : 260gf

| 5 | Button 按钮 | PPA | 1 | white 白色 |
|----------|-------------------|----------------|-----------|--------------------------|
| 4 | Cover plate 盖板 | Copper Cover | 1 | Copper-plated tin 镀铜锡 |
| 3 | Shrapnel 弹片 | SUS | 1 | Ag plating 镀银 |
| 2 | Body 本体 | PPA | 1 | white 白色 |
| 1 | Card 卡件 | Brass | 1 | Ag plating 镀银 |
| NO 序号 | Part name 部件名 | Material 材料 | QTY 数量 | Remark 备注 |

| A4 | | | | |
|-----|------|----------|-------------|-------|
| A3 | | | | |
| A2 | | | | |
| A1 | | | | |
| REV | DATE | REVISION | DESCRIPTION | ISSUE |
| | | A | | B |



| COMMON TOLERANCE | |
|------------------|--------|
| X.XX | ± 0.10 |
| X.X | ± 0.15 |
| X | ± 0.25 |
| ANGULAR | — |

| UNIT | MM | PROJECTED | | PRODUCT NAME: TP1472 □ □ □ □ |
|---|--------|------------|------|--|
| DRAWN BY | SHUHAO | CHECKED BY | COCO | MODEL NO: |
| DATE | 2019 | APPROVAL B | ALEN | Https: www.rocpcu.tw |
| ROCPCU TECHNOLOGY CO., LTD | | | | |
| Copies are issued in strict confidence and shall not be reproduced or copied, or used as the basic of manufacture or sale of apparatus without permission | | | | |