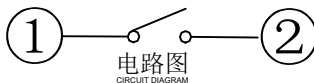
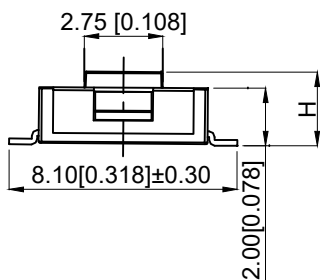


PCB.焊接图  
PCB WELDING DRAWING

NOTES:

1. Rating voltage: 50mA DC12V  
1. 额定电流: 50mA DC12V
2. Contact resistance: ≤100mΩ
3. Travel: 0.20±0.10mm  
3. 行程: 0.20±0.10mm

4. Insulated resistance: ≥100MΩ  
4. 绝缘电阻: ≥100MΩ
5. Dielectric strength: ≥250VAC  
5. 介电强度: ≥250VAC
6. Working temperature: -20°C~80°C  
6. 工作温度: -20°C~80°C
7. Lifc: 30000 order  
7. 寿命: 30000次

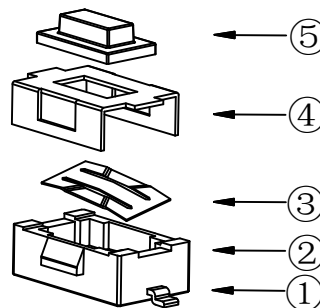
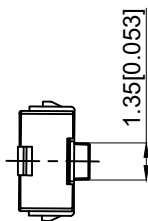


电路图  
CIRCUIT DIAGRAM

TP1232 □ □ □ □

Height  
25:2.5MM

Actuation Force  
16 : 160gf  
26 : 260gf



|          |                    |                |           |                  |
|----------|--------------------|----------------|-----------|------------------|
| 5        | Button<br>按钮       | PPA            | 1         | Red<br>红色        |
| 4        | Blind flange<br>盖板 | SUS            | 1         |                  |
| 3        | Shrapnel<br>弹片     | SUS            | 1         | Ag plating<br>镀银 |
| 2        | Noumenon<br>本体     | PPA            | 1         | Black<br>黑色      |
| 1        | Card<br>卡件         | Brass          | 1         | Ag plating<br>镀银 |
| NO<br>序号 | Part name<br>部件名   | Material<br>材料 | QTY<br>数量 | Remark<br>备注     |

|     |      |          |             |       |
|-----|------|----------|-------------|-------|
| A4  |      |          |             |       |
| A3  |      |          |             |       |
| A2  |      |          |             |       |
| A1  |      |          |             |       |
| REV | DATE | REVISION | DESCRIPTION | ISSUE |



COMMON TOLERANCE

|      |        |
|------|--------|
| X.XX | ± 0.10 |
| X.X  | ± 0.15 |
| X    | ± 0.25 |

ANGULAR

|          |        |            |      |                              |
|----------|--------|------------|------|------------------------------|
| UNIT     | MM     | PROJECTED  |      | PRODUCT NAME: TP1232 □ □ □ □ |
| DRAWN BY | SHUHAO | CHECKED BY | COCO | MODEL NO:                    |
| DATE     | 2019   | APPROVAL B | ALEN | Https: www.rocpcu.tw         |

**ROCPCU TECHNOLOGY CO., LTD**

Copies are issued in strict confidence and shall not be reproduced or copied, or used as the basic of manufacture or sale of apparatus without permission