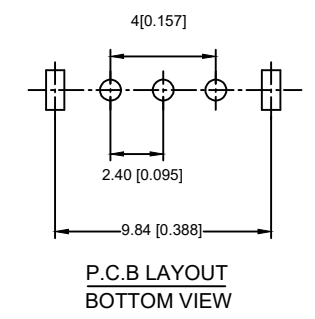
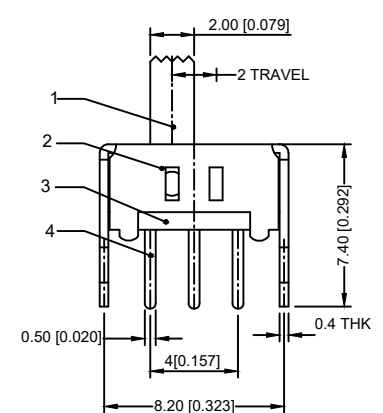
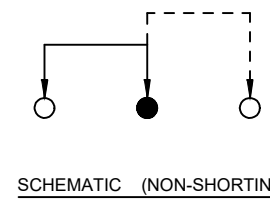


RATING	0.3A 50V DC
CIRCUIT	1P2T
CONTACT RESISTANCE	100mΩ MAX
TRAVEL	2mm
OPERATING FORCE	250±100gf
OPERATING LIFE(CYCLES)	10,000

Height	
4	4.0MM
5	4.0MM
6	6.0MM

SS-12D07-□
 └─ Height



4	Terminal	3	Brass(0.30t)	ag Plated
3	Base	1	Phenolic Resin	
2	Cover	1	SUS	Natural
1	Keystake	1	PA66	Black
ITEM	PAPT NAME	QTY	MATERIAL	FINISHING

REV	DATE	REVISION	DESCRIPTION	ISSUE
A4				
A3				
A2				
A1				



COMMON TOLERANCE	
X.XX	± 0.10
X.X	± 0.15
X	± 0.25
ANGULAR	—

UNIT	MM	PROJECTED	☉
DRAWN BY	SHUHAO	CHECKED BY	COCO
DATE	2019	APPROVAL B	ALEN

PRODUCT NAME: SS-12D07□
 MODEL NO:
 Https: www.rocpcu.tw

ROCPCU TECHNOLOGY CO.,LTD

Copies are issued in strict confidence and shall not be reproduced or copied, or used as the basic of manufacture or sale of apparatus without permission