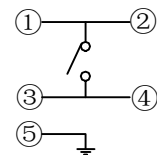
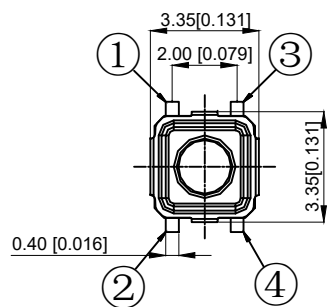
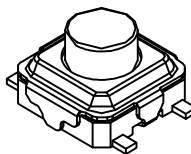
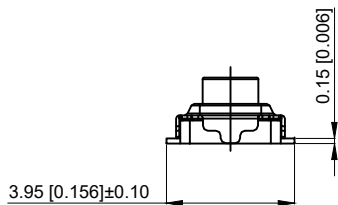


PCB.焊接图
PCB.WELDING DRAWING



电路图
CIRCUIT DIAGRAM

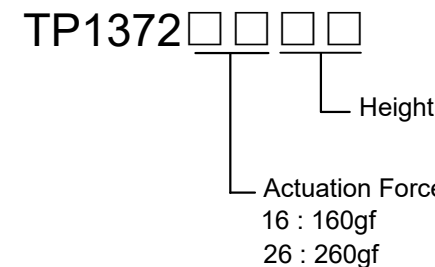


NOTES:

- 1.Rating:12VDC 50mA
1.额定值: 12VDC 50mA
- 2.Dielectric Strength:250V AC
2.耐电压: 250V AC
- 3.Contact Resistance:≤100mΩ Max
3.接触电阻: ≤100mΩ
- 4.Insulation Resistance:≥100MΩ
4.绝缘电阻: ≥100MΩ

- 5.Operating Force:160±50gf
5.操作力: 160±50gf
- 6.Life: 50,000 times
6.寿命: 50,000 times
- 7.Trip: 0.20±0.10mm
7.行程: 0.20±0.10mm

Height	
15	1.5MM
16	1.6MM
17	1.7MM
18	1.8MM
19	1.9MM
20	2.0MM
25	2.5MM



6	Button 按钮	LCP	1	Black 黑色
5	Cover plate 盖板	SUS	1	
4	Dustproof film 防尘膜	Polyimide 聚酰亚胺	1	Aurantiacus 橙黄色
3	Shrapnel 弹片	SUS	2	Ag plating 镀银
2	Body 本体	LCP	1	Black 黑色
1	Card 卡件	Brass 黄铜	1	Ag plating 镀银
NO 序号	Part name 部件名	Material 材料	QTY 数量	Remark 备注

A4				
A3				
A2				
A1				
REV	DATE	REVISION	DESCRIPTION	ISSUE



COMMON TOLERANCE	
X.XX	± 0.10
X.X	± 0.15
X	± 0.25
ANGULAR	—

UNIT	MM	PROJECTED	PRODUCT NAME:
DRAWN BY	SHUHAO	CHECKED BY	COCO
DATE	2019	APPROVAL B	ALEN
ROCPCU TECHNOLOGY CO.,LTD			
Copies are issued in strict confidence and shall not be reproduced or copied, or used as the basic of manufacture or sale of apparatus without permission			

MODEL NO: TP1372□□□□
 https: www.rocpcu.tw