

PCB.安装图

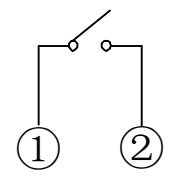
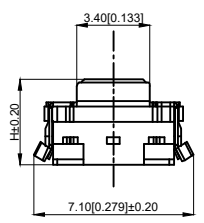
- NOTES:
1. Rating: 12VDC 50mA
1. 额定值: 12VDC 50mA
 2. Dielectric Strength: 250V AC
2. 耐电压: 250V AC
 3. Contact Resistance: ≤100mΩ Max
3. 接触电阻: ≤100mΩ
 4. Insulation Resistance: ≥100MΩ
4. 绝缘电阻: ≥100MΩ

5. Working temperature: -40 °C ~ +85 °C
5. 工作温度: -40 °C ~ +85 °C
6. Stroke: 0.50 ± 0.20mm
6. 行程: 0.50 ± 0.20mm
7. Waterproof grade: IP67
7. 防水等级: IP67
8. Life: 200,000 times
8. 寿命: 200,000 次

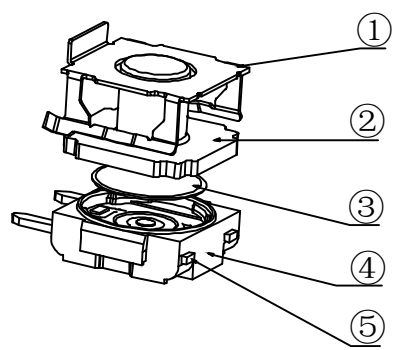
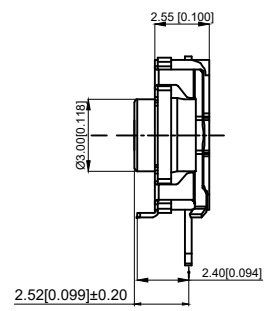
Height	
35	3.5MM
52	5.2MM

TP1461 □ □ □ □

Height
Actuation Force
16 : 160gf
32 : 320gf



电路图



5	Terminal 端子	H65	1	Ag plating 镀银
4	Pedestal 基座	PA6T	1	
3	Shrapnel 弹片	SUS	1	Ag plating 镀银
2	Button 按钮	RUBBER	1	White 白色
1	Cover 盖板	SUS	1	
NO 序号	Part name 部件名	Material 材料	QTY 数量	Remark 备注

A4				
A3				
A2				
A1				
REV	DATE	REVISION	DESCRIPTION	ISSUE



COMMON TOLERANCE	
X.XX	± 0.10
X.X	± 0.15
X	± 0.25
ANGULAR	—

UNIT	MM	PROJECTED	PRODUCT NAME: TP1461 □ □ □ □
DRAWN BY	SHUHAO	CHECKED BY	COCO
DATE	2019	APPROVAL B	ALEN
MODEL NO:		Https: www.rocpcu.tw	
ROCPCU TECHNOLOGY CO., LTD			
Copies are issued in strict confidence and shall not be reproduced or copied, or used as the basic of manufacture or sale of apparatus without permission			