

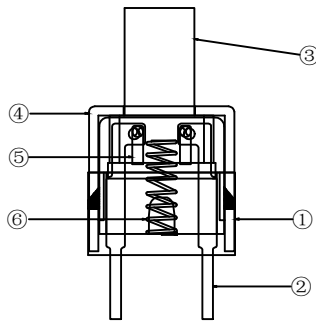
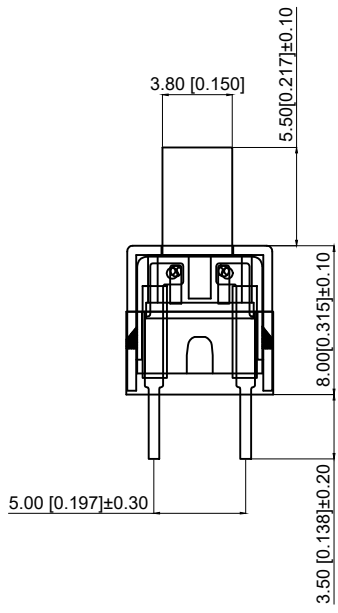
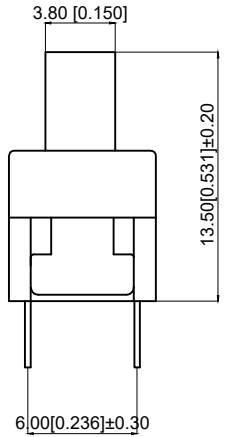
Normal: 1-2 on, 3-4 on  
 常态: 1-2导通 3-4导通  
 Press: all off  
 按下: 全断开

Technical parameter

技术参数

- 1. Rated current: 100mA 30V DC
- 1. 额定电流: 100mA 30V DC
- 2. Contact resistance: ≤ 10 Ω
- 2. 接触电阻: ≤10 Ω
- 3. Electric strength: AC250V 50Hz 1min
- 3. 抗电强度: AC250v 50Hz 1Min

- 4. Operating force: 260gf ± 50gf
- 4. 操作力: 260gf±50gf
- 5. Maximum stroke: 3.0 ± 0.2mm
- 5. 最大行程: 3.0±0.2mm
- 6. Insulation resistance: ≥ 100M Ω
- 6. 绝缘电阻: ≥100MΩ
- 7. Service life: 10000 times
- 7. 寿命: 10000次



BTSA-□-P-17

Operation  
 L : self-locking  
 N : lock-free

7	crochet hook 钩针	SUS 不锈钢丝	1	Natural color 本色
6	Spring 弹簧	SUS 不锈钢丝	1	Natural color 本色
5	reed 簧片	Phosphor bronze 磷青铜	1	Natural color/nickel 本色/镀镍
4	Upper cover 上盖	PA66	1	black 黑色
3	handle 按柄	PPA	1	black 黑色
2	terminal 端子	Brass 黄铜	1	Natural color/nickel 本色/镀镍
1	Pedestal 基座	PPT	1	white 白色
ITEM	Name	Materials	NUM	COLOR

A4				
A3				
A2				
A1				
REV	DATE	REVISION	DESCRIPTION	ISSUE



COMMON TOLERANCE	
X.XX	± 0.10
X.X	± 0.15
X	± 0.25
ANGULAR	—

UNIT	MM	PROJECTED	
DRAWN BY	SHUHAO	CHECKED BY	COCO
DATE	2019	APPROVAL B	ALEN

PRODUCT NAME: BTSA-□-P-17  
 MODEL NO:  
 Https: www.rocpcu.tw

**ROCPCU TECHNOLOGY CO.,LTD**

Copies are issued in strict confidence and shall not be reproduced or copied, or used as the basic of manufacture or sale of apparatus without permission