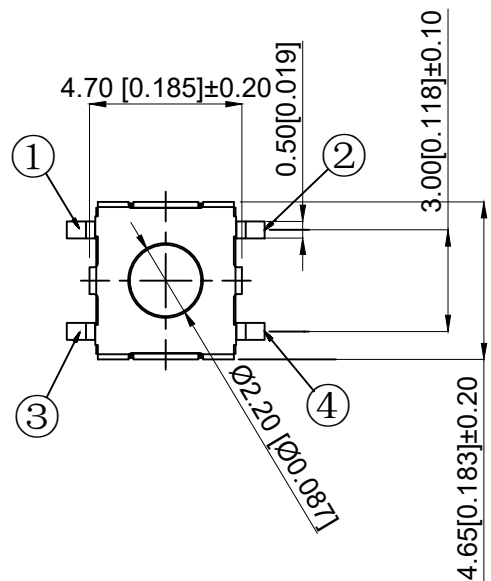


NOTES:

1. Rating: 12VDC 50mA
1. 额定值: 12VDC 50mA
2. Dielectric Strength: 250V AC
2. 耐电压: 250V AC
3. Contact Resistance: ≤100mΩ Max
3. 接触电阻: ≤100mΩ
4. Insulation Resistance: ≥100MΩ
4. 绝缘电阻: ≥100MΩ

5. Operating Force: 160±50gf
5. 操作力: 160±50gf
6. Life: 30,000 times
6. 寿命: 30,000 times
7. Travel: 0.25±0.1mm
7. 行程: 0.25 + 0.1mm
8. Operating Temperature: -20°C±80°C
8. 使用温度: -20°C±80°C



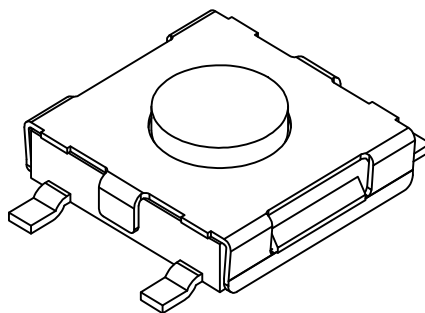
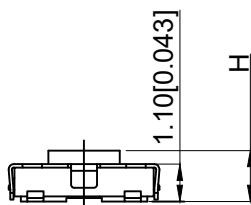
电路图
CIRCUIT DIAGRAM

TP1172 □ □ □ □

Height

Actuation Force
16 : 160gf
26 : 260gf

Height	
15	1.5MM
16	1.6MM
17	1.7MM
18	1.8MM
19	1.9MM
20	2.0MM
25	2.5MM



5	Push-button 按钮	PPA	1	Black 黑色
4	Blind flange 盖板	SUS	1	
3	Shrapnel 弹片	SUS	1	Ag plating 镀银
2	Noumenon 本体	PPA	1	Black 黑色
1	Card 卡件	Brass	1	Ag plating 镀银
NO 序号	Part name 部件名	Material 材料	QTY 数量	Remark 备注

A4				
A3				
A2				
A1				
REV	DATE	REVISION	DESCRIPTION	ISSUE



COMMON TOLERANCE	
X.XX	± 0.10
X.X	± 0.15
X	± 0.25
ANGULAR	—

UNIT	MM	PROJECTED	PRODUCT NAME:
DRAWN BY	SHUHAO	CHECKED BY	COCO
DATE	2019	APPROVAL B	ALEN
<p style="text-align: center;">ROCPCU TECHNOLOGY CO., LTD</p>		<p style="text-align: center;">Copies are issued in strict confidence and shall not be reproduced or copied, or used as the basic of manufacture or sale of apparatus without permission</p>	

MODEL NO: TP1172 □ □ □ □

Https: www.rocpu.tw